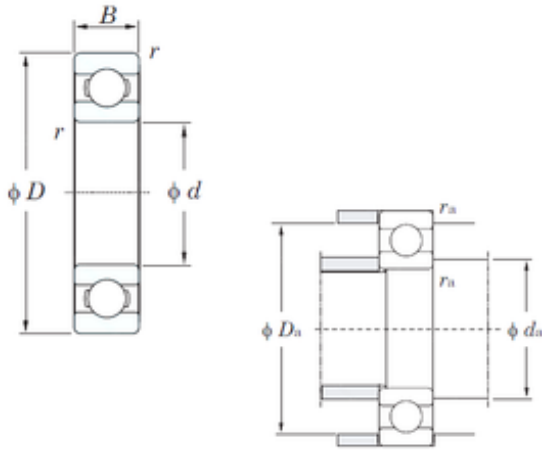




Nice Ball Bearings CO,LTD



SKF Timken NSK NTN Koyo Snr Hiwin Deep Groove Ball Bearing Tapered Roller Bearing Spherical Roller Bearingwheel Hub Bearing 6203 6205 6201 6301 6305/Zz 2RS

Bearing No. 6203

6203 Bearing 2D drawings and 3D CAD models

Size	17x40x12 mm
Bore Diameter	17 mm
Outer Diameter	40 mm
Width	12 mm
d	17 mm
D	40 mm
B	12 mm
C	12 mm
r min.	0,6 mm
da min.	21 mm
Da max.	36 mm
ra max.	0,6 mm
Weight	0,065 Kg
Basic dynamic load rating (C)	9,55 kN
Basic static load rating (C0)	4,8 kN
(Grease) Lubrication Speed	17000 r/min
(Oil) Lubrication Speed	21000 r/min
Category	Single Row Ball Bearings
Inventory	0.0
Manufacturer Name	KOYO
Minimum Buy Quantity	N/A
Weight / Kilogram	0.072
EAN	0605790056383



Nice Ball Bearings CO,LTD

Product Group	B00308
Enclosure	Open
Precision Class	ABEC 1 ISO P0
Maximum Capacity / Filling Slot	No
Rolling Element	Ball Bearing
Snap Ring	No
Internal Special Features	No
Cage Material	Steel
Internal Clearance	C0-Medium
Inch - Metric	Metric
Long Description	17MM Bore; 40MM Outside Diameter; 12MM Outer Race Diameter; Open; Ball Bearing; ABEC 1 ISO P0; No Filling Slot; No Snap Ring; No Internal Special Features
Category	Single Row Ball Bearing
UNSPSC	31171504
Harmonized Tariff Code	8482.10.50.68
Noun	Bearing
Keyword String	Ball
Manufacturer URL	http://www.koyousa.com
Manufacturer Item Number	6203
Weight / LBS	0.158
Bore	0.669 Inch 17 Millimeter
Outside Diameter	1.575 Inch 40 Millimeter
Outer Race Width	0.472 Inch 12 Millimeter
Bearing No.	6203
r(min)	0.6
Cr	12.0
C0r	4.80
Cu	0.370



Nice Ball Bearings CO,LTD

f0	13.2
Grease lub.	17000
Oil lub.	21000
da(min)	21
Da(max)	36
ra(max)	0.6
(Refer.) Mass(kg)	0.065